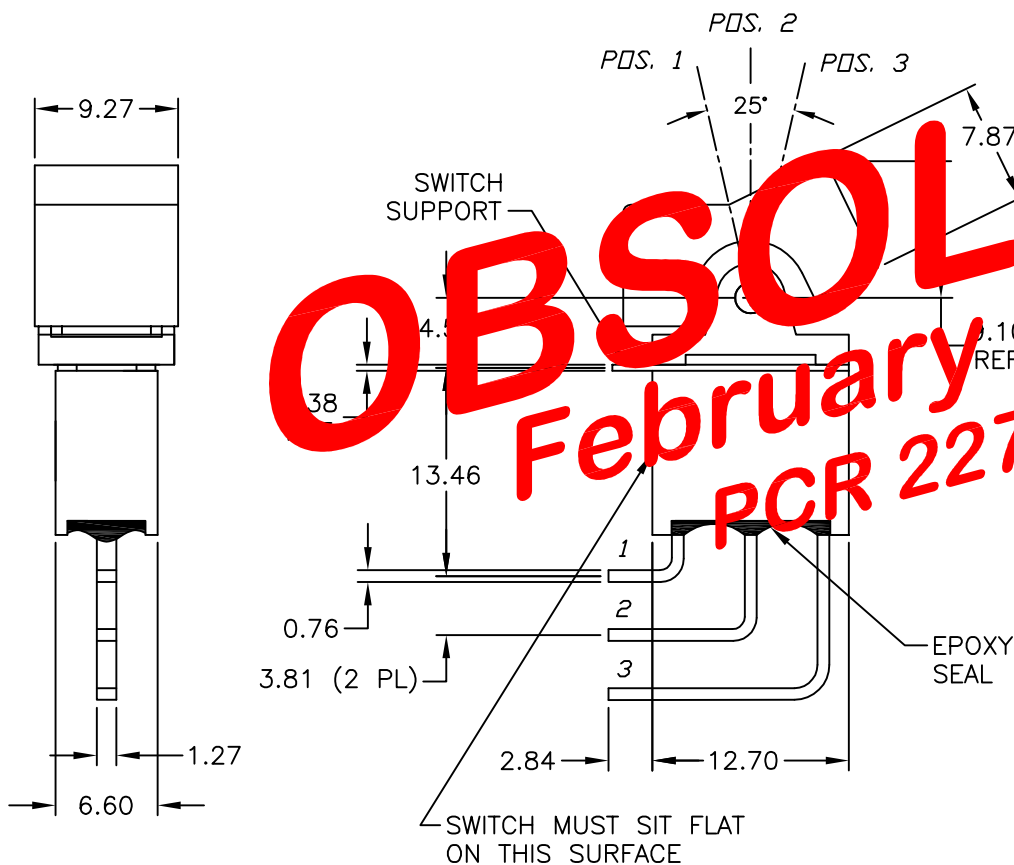
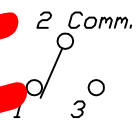


SUGGESTED PCB LAYOUT



OBSOLETE
 February 2017
 PCR 22710



CIRCUIT: SPDT

SWITCH FUNCTION		
POS. 1	POS. 2	POS. 3
ON	NONE	ON
2-3	OPEN	2-1

CONTACT CONFIGURATION

NOTES:

1. ALL DIMENSIONS IN MM
2. GENERAL TOLERANCE: 0.00=±0.25
3. TERMINAL NUMBERS FOR REF ONLY
4. RATING: 5 AMPS @ 120VAC OR 28VDC;
2 AMPS @ 250VAC
5. ELECTRIC LIFE: 30,000 make-and-break cycles at full load.
6. INSULATION RESISTANCE: 1000 Mega-ohm min.
7. DIELECTRIC STRENGTH: 1000V RMS @sea level.
8. OPERATING TEMP.: -30°C to 85°C

E-SWITCH®

B	11032	CORRECTED PCB DIAGRAM	10-25-00	CJB
A	10900	RELEASED FOR PRODUCTION	8-28-00	GLG
REV.	ECN No.	DESCRIPTION	DATE	CHKD

TITLE				
300A WSP1 J1 (Blk) M75 Q E				
SCALE	DATE	DR	DWG	REV
2:1	8-28-00	GLG	T301019	B

THE INFORMATION CONTAINED IN THIS DOCUMENT IS PROPRIETARY TO E-SWITCH AND IS NOT TO BE COPIED OR TRANSFERRED